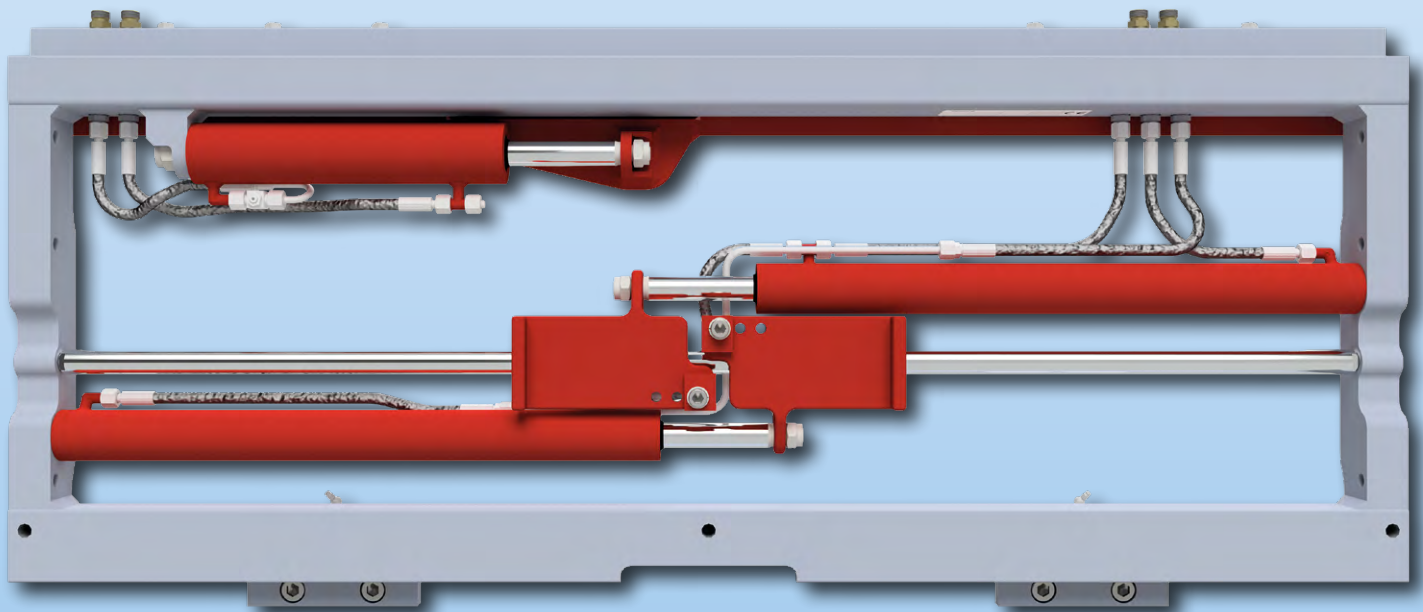
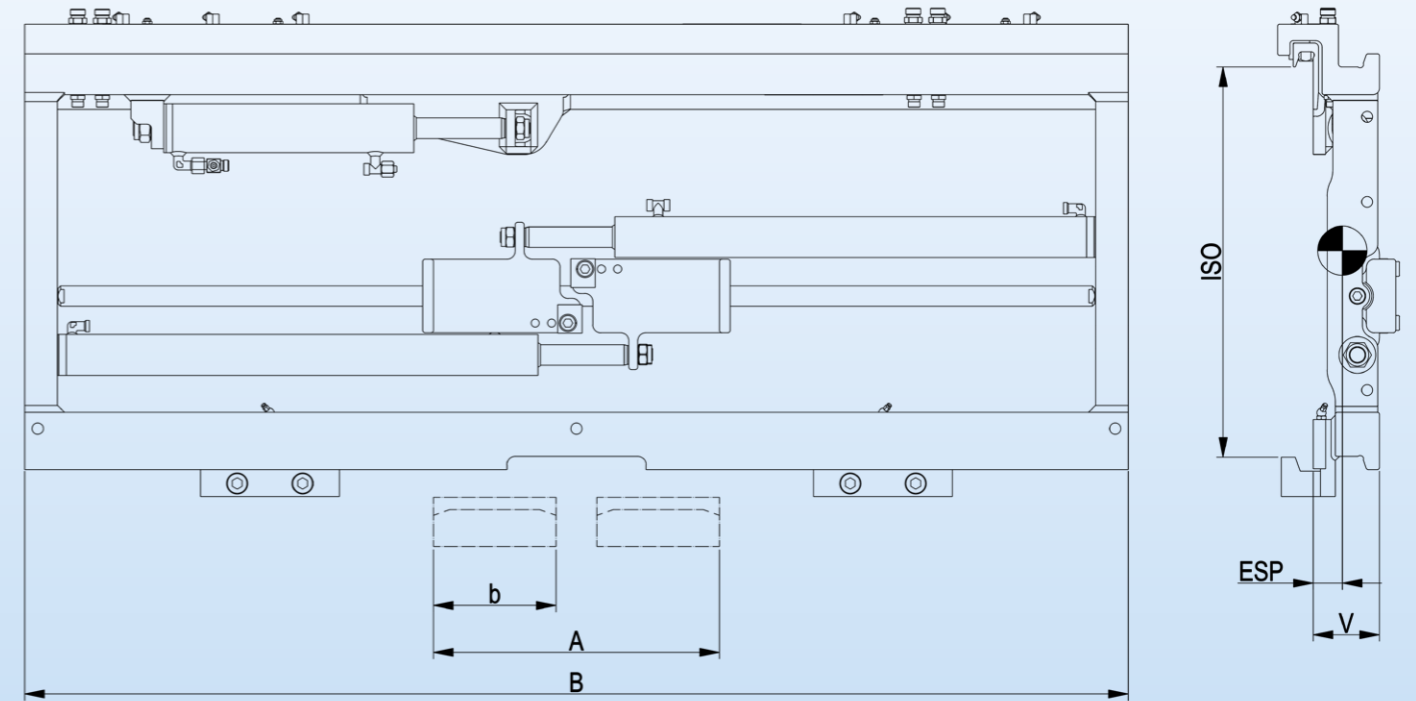
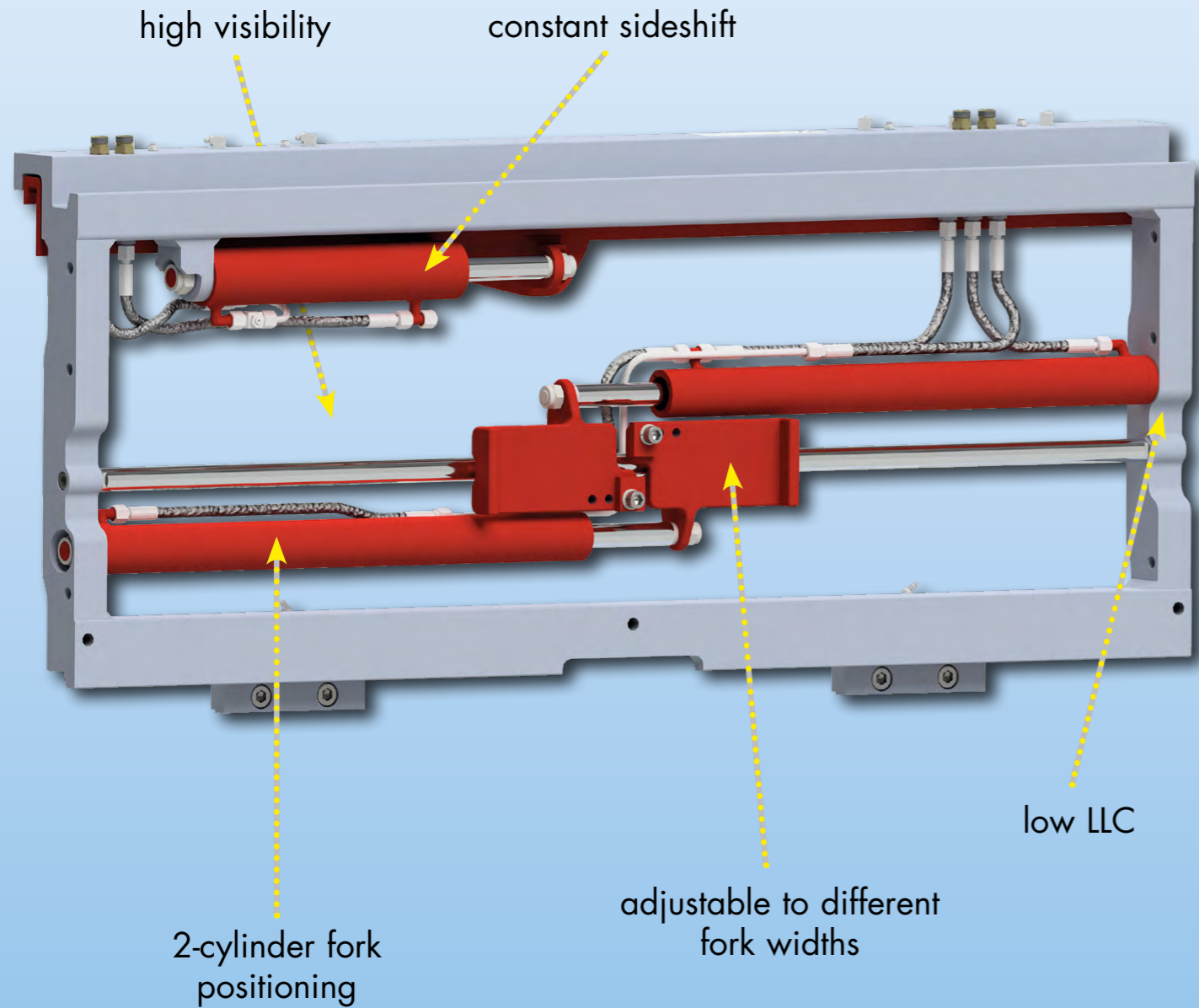


# FORK POSITIONER LZV-S



# FORK POSITIONER LZV-S

The **LZV-S** is a fork positioner designed for light-duty applications. It is equipped with constant sideshift as standard for easy load alignment. Fork positioning is powered by two hydraulic cylinders, and the unit accepts ISO 2328 hook-on forks. The LZV-S is intended for low-intensity indoor use under clean and stable operating conditions. Proper operation and regular maintenance are required to achieve the expected service life. The unit is not designed for clamping tasks, nor for medium or heavy-duty applications, outdoor use, or harsh environments.



type	lift truck to LC mm	min. carriage mm	capacity kg LC mm	ISO	B mm	opening range A OTO mm	b forks mm	sideshift mm	V LLC mm	COG/ESP hor. mm	COG/ESP vert. mm	weight kg
LZV 20-S	1,0-2,0/500	820 880	2000/500	II	980 1040	290-940 290-1000	80-125	+/- 100	63	25	252 253	90 93
LZV 25-S	2,0/600- 2,5/500	820 880 990	2500/500	II	980 1040 1150	290-940 290-1000 290-1110	80-125		63	25	252 253 255	91 94 99
LZV 35-S	3,0/600- 3,5/500	880 990 1070	3500/500	III	1040 1150 1350	350-1000 350-1110 350-1310	100-150		80	36	307 309 310	135 142 155
LZV 45-S	3,5/600- 5,0/500	880 990 1070	5000/500	III	1040 1150 1350	350-1000 350-1110 350-1310	100-150		80	36	307 309 310	135 142 155

- 2 hydraulic functions required
- includes hoses and couplings
- constant sideshift as standard
- available without sideshift
- available with backrest
- for hook-on forks ISO 2328
- forks not included
- clamping of goods is not allowed
- max. fork length 1600 mm, for longer forks we recommend RZV-S

**Do you already know our service portal ?**

Please check out our online information for service, repair and maintenance at [serviceportal.durwen.de/en/](http://serviceportal.durwen.de/en/)





You are looking for a digital version:



## DURWEN SERVICE - YOUR BACKUP!



Durwen factory I, Plaidt



Durwen factory II, Mayen



Durwen research and development centre



... well prepared to support you

# DURWEN

Forklift Attachments



Durwen Maschinenbau GmbH  
August-Horch-Straße 5  
56637 Plaidt - Germany

Phone: +49 2632-7000-0  
Fax: +49 2632-7000-299

export@durwen.de  
www.durwen.de



your partner