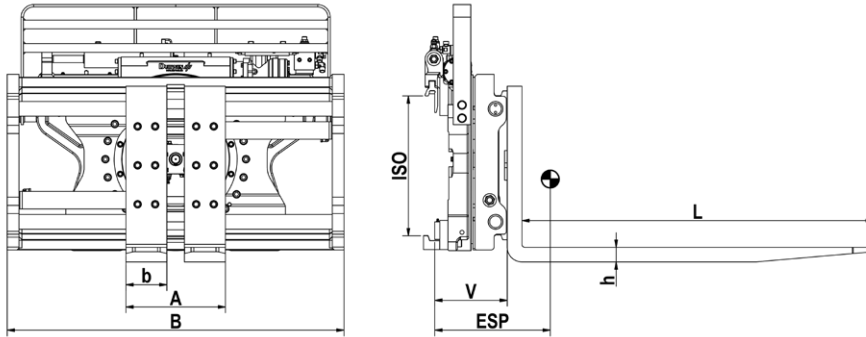


Revolving fork positioner

360° total rotation, constant sideshift, bolt-on forks

DZVW-GS

The revolving fork positioner **DZVW-GS** rotates 360° and has bolt-on forks. Rotation, sideshift and fork positioning allow for quick and safe operation. The strong construction with round bars guarantees a long service life. The rotator has a strong direct transmission with proven service in heavy-duty applications. The rotation bearing is protected against dust. The unit is not designed for use with inverted forks. Clamping is not allowed. Suitable solutions upon request.

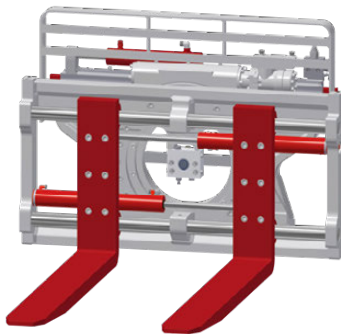


type	lift truck to LC mm	min. carriage mm	capacity kg LC mm	ISO	B mm	A mm OTO	forks b x h x L mm	sideshift mm	V LLC mm	COG/ESP hor. mm	COG/ESP vert. mm	weight kg
DZVW 16-GS*	1,6/500	790	1600/500	II	1000	300-880	100x40x1200	+/- 100	245	222	211	485
DZVW 20-GS*	1,8-2,0/500	790	2000/500	II	1000	300-880	100x45x1200		245	234	206	496
DZVW 25-GS*	2,0/600 - 2,5/500	900	2500/500	II	1150	320-1050	120x40x1200		231	214	224	565
DZVW 28-GS*	2,5 / 600	900	2500/600	II	1150	325-1055	125x45x1200		231	229	220	585
DZVW 30-GS*	3,0 / 500	900	3000/500	III	1150	325-1055	125x45x1200		248	233	250	642
DZVW 35-GS	3,0/600 - 3,5/500	900	3500/500	III	1150	340-1070	140x50x1200		248	254	240	678
DZVW 40-GS	3,5/600 - 4,0/600	980	4000/600	III	1350	370-1250	140x50x1200		280	232	274	935
DZVW 45-GS	4,5/500 - 5,0/600	980	5000/600	III	1350	380-1260	150x60x1200		280	255	263	984
DZVW 50-GS	5,0/600	1010	5000/600	IV	1350	380-1260	150x70x1200		310	258	300	1215
DZVW 60-GS	6,0/600	1100	6000/600	IV	1420	380-1300	150x70x1200		330	255	333	1425
DZVW 80-GS	7,0-8,0/600	1100	8000/600	IV	1800	480-1680	200x70x1200		357	297	313	1771

- 3 hydraulic functions required
- includes hoses and couplings
- constant sideshift as standard
- features bolt-on forks as standard

- with pressure relief valve on the clamp function as standard
- with protection strip as standard type SB-DG (does not rotate, Height = H, exact type Page 246)

- solenoid valve upon request (12 V, 24 V, 48 V, 80 V - please specify)
- clamping of goods is not allowed
- not available without forks



*Forks longer 1600 mm cross section changes	
type	forks b x h mm
DZVW 16-GS	100x50
DZVW 20-GS	100x50
DZVW 25-GS	120x50
DZVW 28-GS	125x50
DZVW 30-GS	125x50