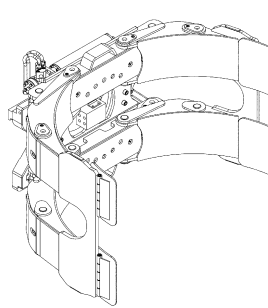
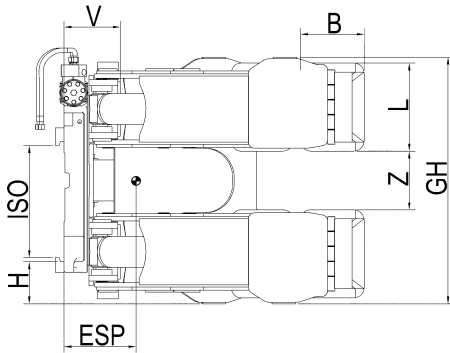
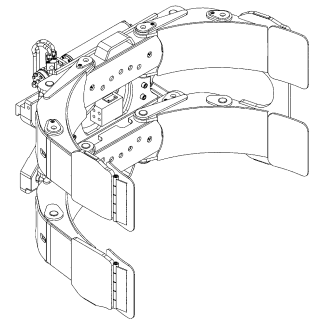


Paper roll clamp 360°

PRK 30
ISO II/III



long arm unsplit



long arm split

type	capacity kg LC mm	min. carriage mm	ISO	roll diameter min - max mm	short arm	GH mm	contact plates B x L mm	Z mm	H mm	V LLC mm	COG/ESP hor. mm	COG/ESP vert. mm	weight kg								
PRK 30 - Long arm unsplit																					
PRK 30 B - 12	2400/600	950	II/III	250 - 1200	powered	840	220x300	200	143	197	222	284	660								
PRK 30 S - 12	2400/600			500 - 1200	fixed						222		655								
PRK 30 B - 13	2200/650			250 - 1300	powered						225		675								
PRK 30 S - 13	2200/650			500 - 1300	fixed						225		670								
PRK 30 B - 14	2000/725			250 - 1450	powered						235		685								
PRK 30 S - 14	2000/725			600 - 1450	fixed						235		680								
PRK 30 B - 15	1900/760			250 - 1520	powered						254		700								
PRK 30 S - 15	1900/760			600 - 1520	fixed						254		695								
PRK 30 B - 16	1750/800			250 - 1600	powered						275		715								
PRK 30 S - 16	1750/800			600 - 1600	fixed						275		710								
PRK 30 - Long arm split																					
PRK 30 TB - 12	2400/600			950	II/III						250 - 1200		powered	840	220x300	200	143	197	215	284	650
PRK 30 TS - 12	2400/600										500 - 1200		fixed						215		645
PRK 30 TB - 13	2200/650										250 - 1300		powered						220		665
PRK 30 TS - 13	2200/650										500 - 1300		fixed						220		660
PRK 30 TB - 14	2000/725										250 - 1450		powered						228		675
PRK 30 TS - 14	2000/725	600 - 1450	fixed			228	670														
PRK 30 TB - 15	1900/760	250 - 1520	powered			248	690														
PRK 30 TS - 15	1900/760	600 - 1520	fixed			248	685														
PRK 30 TB - 16	1750/800	250 - 1600	powered			270	705														
PRK 30 TS - 16	1750/800	600 - 1600	fixed			270	700														

- 2 hydraulic functions required
- includes hoses and couplings
- optional surfaces see page 72
- other surfaces upon request
- centre cover upon request

- 160 bar pressure at entry required, less pressure results in less clamping force
- powered short arm sequential movement as standard, positioning at 45°, choose on order (no add-on price)
- 0° arm design upon request

- one piece contact plate per arm upon request
- load extender upon request
- quick release hooks ISO II/III upon request
- force options see page 249



image shows unit complete with
optional centre cover