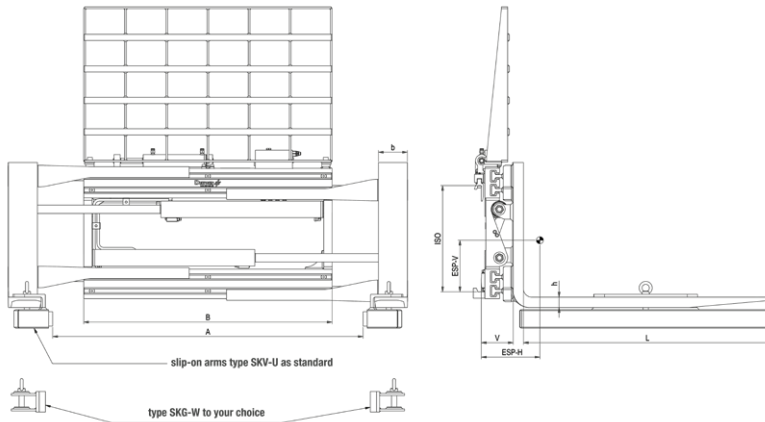


Building material clamp

constant sideshift, bolt-on forks

UVP-S

The **building material clamp UVP** is an ideal attachment for the transport of a variety of building materials. With the articulating slip-on arms, various loads can be picked up quickly and safely without pallets. Also pallet loads can easily be transported with the slip-on arms removed. A robust backrest protects the driver from loose stones falling through the mast.



type	lift truck to LC mm	min. carriage mm	capacity on forks kg LC mm	capacity as clamp	ISO	B mm	opening range A ITI mm	forks b x h x L mm	sideshift mm	V LLC mm	COG/ESP hor. mm	COG/ESP vert. mm	weight kg
UVP 25-S	2,0-2,5/600	900	2500/600	1900/500	II	1150	170-1490	140x50x1200	+/- 100	148	351	149	633
UVP 30-S	3,0/500	1000	3000/500	2400/500	III	1200	170-1540	140x50x1200		151	335	191	680
UVP 35-S	3,0/600-3,5/500	1050	3500/500	2700/500	III	1200	140-1500	150x50x1200		156	310	217	775
UVP 40-S	3,5/600-5,0/500	1050	4000/500	2900/500	III	1350	140-1650	150x50x1200		166	298	228	840
UVP 45-S	5,0/600	1050	4500/600	3100/500	III	1350	140-1650	150x60x1200		166	313	220	890

- 2 hydraulic functions required
- includes hoses and couplings
- features bolt-on forks as standard
- toe-in on forks as standard
- constant sideshift as standard
- sideshift rollers as standard
- with pressure relief valve on the clamp function as standard
- with slip-on arms type SKV-U as standard, Length 1200 mm, or choose type SKG-W at no extra charge
- solid load backrest as standard, height (ISO type A):
UVP 25-S = 1350 mm from floor
UVP 30-S-UVP 45-S = 1450 mm from floor

