

Multi fork positioner with load- extender for 1-2 and 1-2-3 pallets



The double fork positioner with load-extender can load and unload trailers from one side. Additionally, the attachment has all the advantages of the double fork positioner, i.e. sideshift, slim forks, handling of one or two pallets and positioning the pallets together. The stroke of the load-extender is sufficient for the standard vehicle width of 2400 mm.

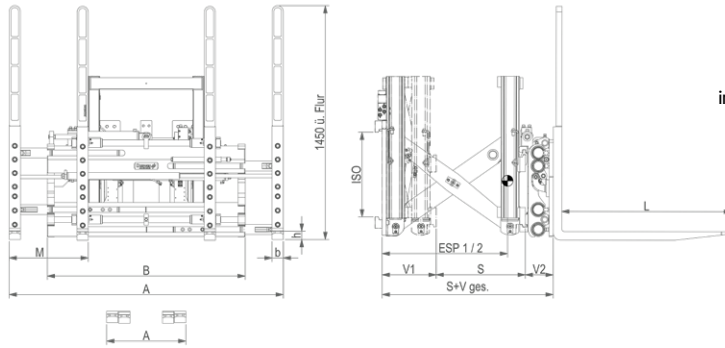


image shows VDPK

double fork positioner for 1+ 2 pallets														
type	lift truck to LC mm	min. carriage mm	capacity kg LC mm	ISO	B mm	opening range A OTO mm	M mm	forks b x h x L mm	stroke S mm	sideshift mm	V1+V2 LLC mm	COG 1/ COG 2 hor. mm	COG 1/ COG 2 vert. mm	weight kg
VDPK 25	3,5/600	980	2400/600	II/III	1200	560-1940	560	80x40x1200	650	+/- 100	530	390/870	366/324	990
VDPK 45	4,5-5,0/600	980	2600/600	III				80x45x1200						
VDPK 50	5,0/600	980	2600/600	IV				80x45x1200						

triple fork positioner for 1, 2 and 3 pallets														
type	lift truck to LC mm	min. carriage mm	capacity kg LC mm	ISO	B mm	opening range A OTO mm	M/N mm	forks b x h x L mm	stroke S mm	sideshift mm	V1+V2 LLC mm	COG 1/ COG 2 hor. mm	COG 1/ COG 2 vert. mm	weight kg
VDRPK 45	5,0/600	1150	3000/600	III	1630	560-2285	510/560	60x45x1200	650	+/- 125	554	400/870	360/323	1390
VDRPK 60	6,0/600	1150	3800/600	IV								400/870	360/323	1400
VDRPK 70	7,0/600	1150	3900/600	IV				410/882	354/319	1430				
VDRPK 80	8,0/600	1150	4500/600	IV				60x50x1200	970	+/- 150	530	330/980	445/390	1905

- 3 hydraulic functions required
- includes hoses and couplings
- constant sideshift as standard
- solenoid valve upon request (12 V, 24 V, 48 V, 80 V - please specify)
- automatic lubrication system upon request
- optional with high visibility load backrest: ISO II/III upon request, ISO IV not available

image shows VDPK 45 with optional high visibility load backrest



COG 1 = retracted
COG 2 = extended