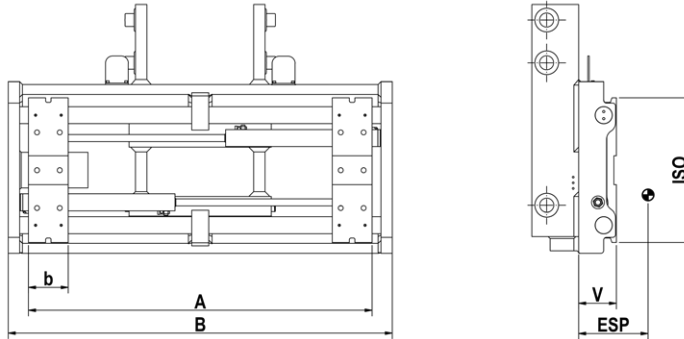


Fork positioner

**ZVW-I
ISO III**

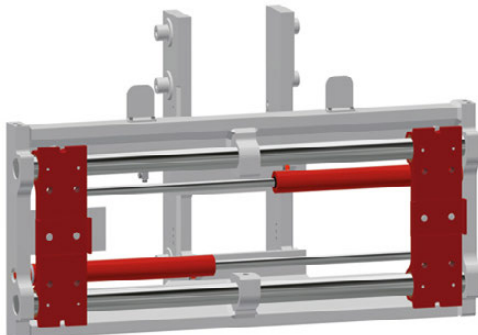
integrated version, integral sideshift

The **integral fork positioner ZVW-I** offers outstanding durability and excellent visibility. The double chrome axis guideways are particularly clean and enables precise fork positioning due to high-quality hydraulics. Standard forks with ISO mounting or bolt-on forks may be used. The integral sideshift operates depending on fork position. This means that only the fork carriers move inside the static frame.

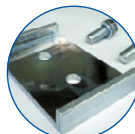


type	lift truck to LC mm	capacity kg LC mm	ISO	B mm	A mm OTO	b forks mm	V LLC mm	COG/ESP hor. mm	COG/ESP vert. mm	weight kg	moving mass kg
ZVW 30-I	3,0/500	3000/500	III	1040 1150 1350	320-940 320-1050 320-1250	120	117	50	254 254 250	190 195 205	38
ZVW 35-I	3,0/600-3,5/500	3500/500		1150 1350	320-1050 320-1250	120	117	49	254 250	200 220	38
ZVW 45-I	3,5/600-5,0/500	5000/500		1150 1350 1550 1750	370-1050 370-1250 370-1450 370-1650	140	133	53	257 258 258 260	270 300 330 360	46
ZVW 48-I	5,0/600	5000/600		1150 1350 1550 1750	370-1050 370-1250 370-1450 370-1650	140	133	53	257 258 258 260	275 305 335 365	46

- 2 hydraulic functions required
- ready to connect, access metric
- includes sideshift via valve, depending on opening range
- for hook-on forks ISO 2328
- bolt-on forks can be used
- forks not included
- please indicate fork width when ordering
- including brackets, chain anchor and stub shafts, without rollers
- detailed information including carriage drawings are required with the order as well as forklift model and mast model details
- weight, COG and LLC do not include brackets
- LLC does not include forks
- load backrest/protection strip type LS-RP see page 248
- clamping of goods is not allowed



option: protection strip



fork lock